

ACA702 Camera Specifications(720P)




Applicable Model: MD600\MD833H\MD300

Change History

File Name	ACP702 (ADAS) Camera Specifications		
Project	MD600\MD300\MD833H	Creation Date	2025/9/22
Subproject	Accessory Specifications	Total Pages	5
Version	V1.0	Confidential	External Documentation

Copyright and Disclaimer

Copyright © Meitrack Group 2025. All rights reserved.

MEITRACK and  are trademarks that belong to Meitrack Group and its subsidiary.

The user manual may be changed without notice.

Without prior written consent of Meitrack Group, this user manual, or any part thereof, may not be reproduced for any purpose whatsoever, or transmitted in any form, either electronically or mechanically, including photocopying and recording.

Meitrack Group shall not be liable for direct, indirect, special, incidental, or consequential damages (including but not limited to economic losses, personal injuries, and loss of assets and property) caused by the use, inability, or illegality to use the product or documentation.

Documentation Update Records

Version	Date	Modified
1.0	2025-09-22	Initial draft.

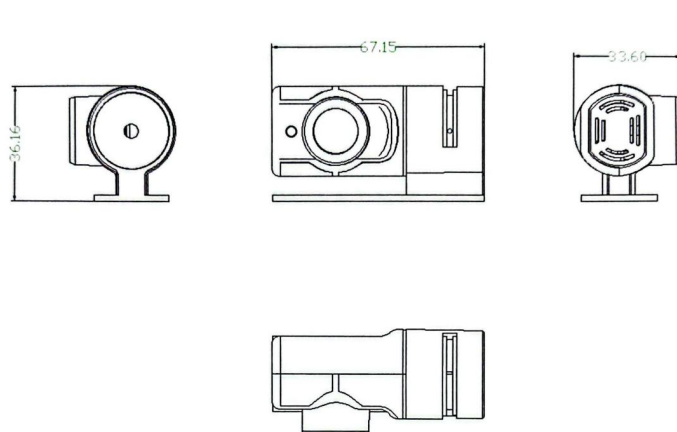
Contents

1 Product Specifications	- 4 -
2 product drawing	- 4 -
3 Standard Configuration	- 5 -

1 Product Specifications

Item	Specifications
Module Type	1/4.2 sensor
Product size	67*36*33mm
Weight	120g
Resolution	AHD720P
Standard	PAL
Total Pixels	PAL:1280(H) x720(V)
Minimum Illumination	0.1LUX
Electronic Shutter	PAL : 1/50 ~ 1/100,000s
Signal-to-Noise Ratio	>52dB
White Balance	Automatic White Balance
Image Effect	Color/B&W
Digital Wide Dynamic Range	Enable
Mirroring	Disable
Waterproof	Not supported
Night Vision Function	Infrared switch to black and white
Language	English
Video Output	1.0Vp-p, 75 Ω
Lens	2.1MM,940 filter
Viewing Angle	H=115°
Interface	M12 4-pin aviation connector (1: +12V, 2: GND, 3: empty, 4: video), 0.5m cable length
Power Supply	DC 12V+50%
Operating Temperature	-20°C - +70°C
Operating Humidity	Relative humidity is below 90%

2 product drawing



3 Standard Configuration

Order	Name	Quantity	Unit	Remarks
1	In-car camera	1	Pcs	Standard



If you have any questions, do not hesitate to email us at info@meitrack.com.